



ATD-80377

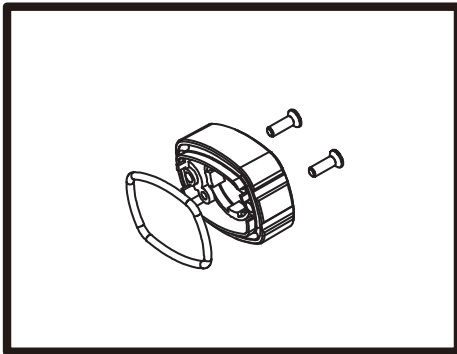
700 Lumen COB Rechargeable Work Light

Owner's Manual

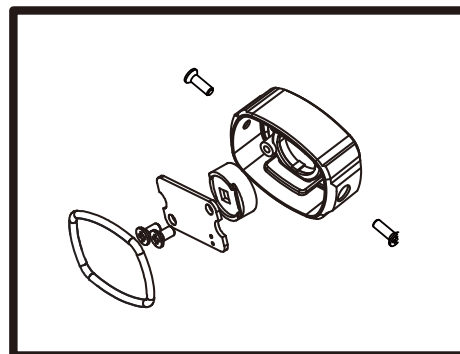
PLEASE NOTE BEFORE ORDERING PARTS:

There are two versions of this light, the first generation has screws in the top of the top lens housing, while the second generation has screws in the sides of the top lens housing. Please see the correct drawing for the correct part numbers for YOUR light.

THESE PARTS ARE NOT INTERCHANGEABLE!



1st Generation



2nd Generation



ATD-80377

700 Lumen COB Rechargeable Work Light Owner's Manual



Features

- Front COB LED with (2) brightness settings - 700 lumens (high), 350 lumens (low)
- Top LED light offers an additional flashlight function - 50 lumens
- Automatic shut-off and overcharge protection for optimal battery life
- Battery power level indicator
- 3.7V 5200mAh lithium-ion rechargeable battery for longer life and consistent power
- Two 360 degree rotating hooks with magnets for hanging and sticking to steel surfaces
- Tough, impact resistant ergonomic housing
- Run Time: Up to 3-hours (high), up to 6-hours (low)
- IP54 rated for dust & water resistance

Operating instructions

- To use, plug the unit into any 110-120V AC power source, such as a wall receptable. Let the unit fully charge until the 4 LED's light up on the front before use.
- Press the switch once for top LED, twice for front bulb low power, three times for front bulb high power and four times for off.
- Charge the light after each use if it is used often to ensure longevity. Charge light every month if it is not in constant use.

Cautions

- Use only the recommended voltage and frequency requirements.
- Keep out of reach of children.
- Do not operate light with wet hands.
- Keep lamp away from hot objects.



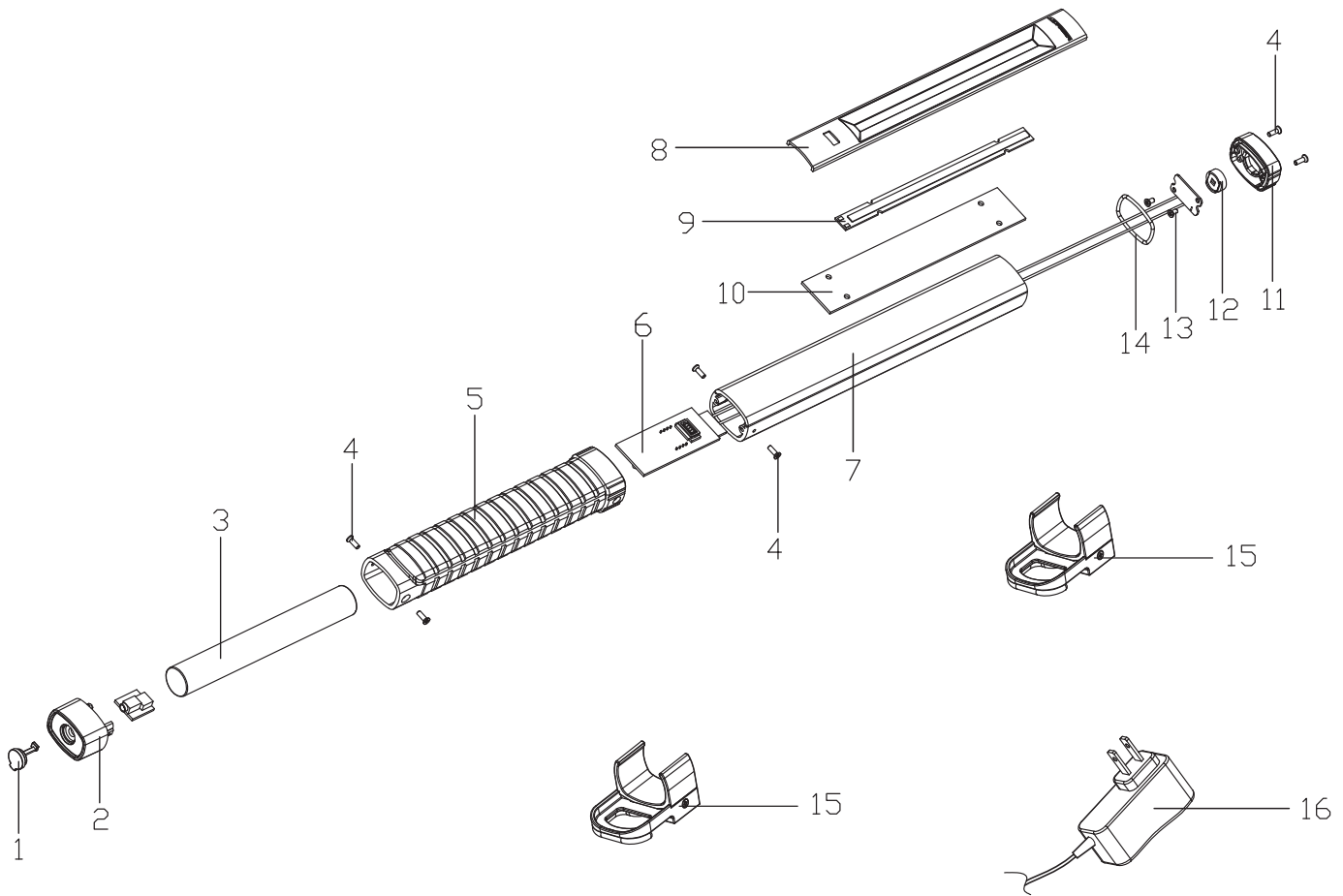
WARNING



WARNING: This product contains chemicals, including lead, known to the State of California to cause cancer, birth defects or other reproductive harm. **Wash hands after handling.**

ATD-80377

(FIRST GENERATION)

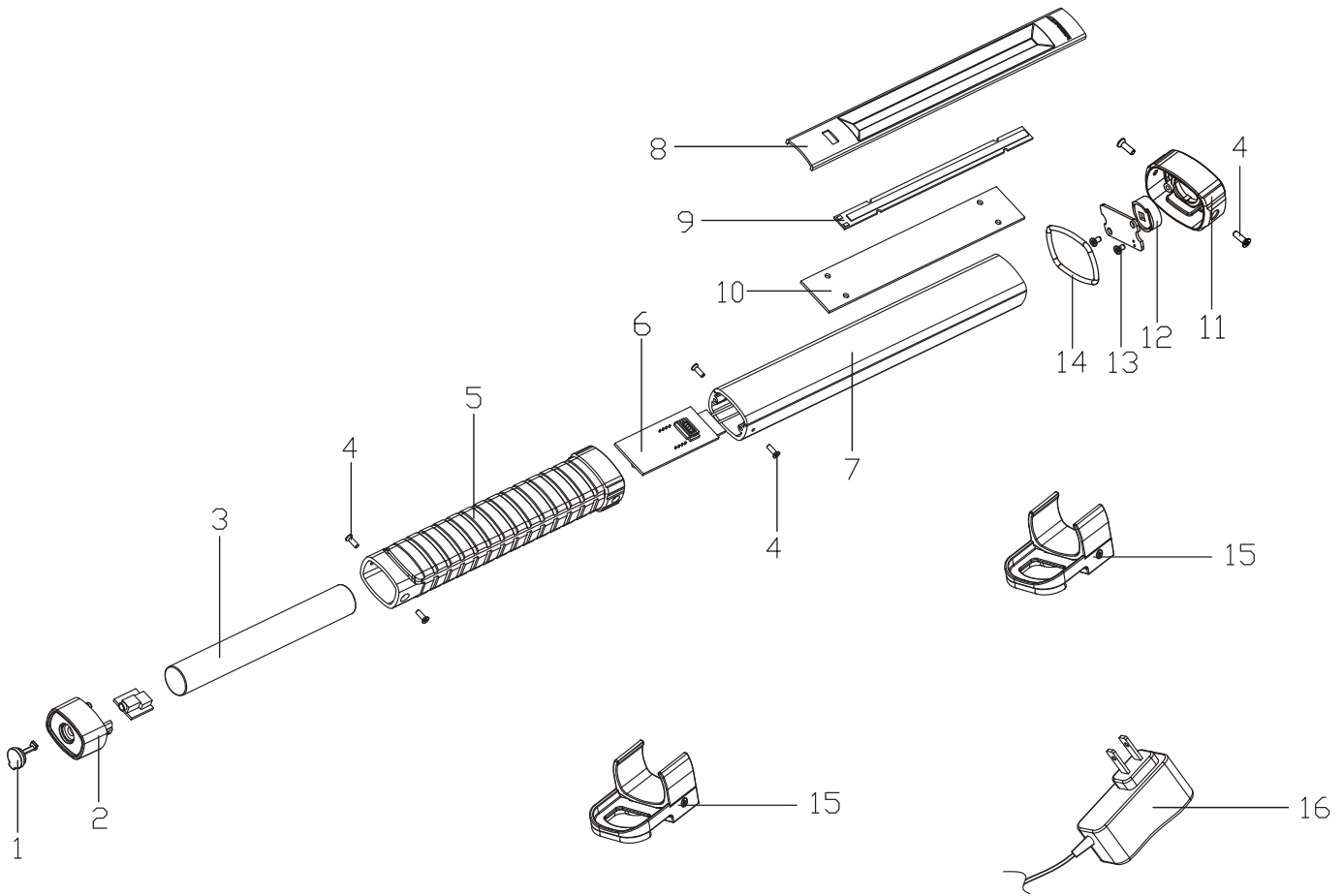


ITEM#	ORDERING PART#	PART DESCRIPTION
1	PRT80373-01	DC COVER
2	PRT80373-02	BOTTOM FIXED BLOCK
3	PRT80377-03	LI-ION BATTERY
4	PRT80373-04	SCREW A
5	PRT80375-05	HANDLE
6	PRT80377-06	PCBA WITH TOP LED
7	PRT80377-07	PC TUBE / LENS
8	PRT80377-08	REFLECTOR

ITEM#	ORDERING PART#	PART DESCRIPTION
9	PRT80377-09	LED
10	PRT80377-10	HEAT SINK
11	PRT80373-14	TOP FIXED BLOCK
12	PRT80373-12	LED COVER
13	PRT80373-11	SCREW B
14	PRT80373-13	O-RING
15	PRT80373-15	HOOK ASSEMBLY
16	PRT80373-16	AC ADAPTOR, 5V 2A

ATD-80377

(SECOND GENERATION)



ITEM#	ORDERING PART#	PART DESCRIPTION
1	PRT80373-01	DC COVER
2	PRT80373-02	BOTTOM FIXED BLOCK
3	PRT80377-03	LI-ION BATTERY
4	PRT80373-04	SCREW A
5	PRT80375-05	HANDLE
6	PRT80377-06	PCBA WITH TOP LED
7	PRT80377-07-14	TOP BLOCK & PC TUBE ASSEMBLY
8	PRT80377-08	REFLECTOR

ITEM#	ORDERING PART#	PART DESCRIPTION
9	PRT80377-09	LED
10	PRT80377-10	HEAT SINK
11	PRT80377-07-14	TOP BLOCK & PC TUBE ASSEMBLY
12	PRT80373-12	LED COVER
13	PRT80373-11	SCREW B
14	PRT80377-07-14	TOP BLOCK & PC TUBE ASSEMBLY
15	PRT80373-15	HOOK ASSEMBLY
16	PRT80373-16	AC ADAPTOR, 5V 2A